



2 TONNE LOW ENTRY SHORT CHASSIS TROLLEY JACK

MODEL NO: **1050CXLE.V3**

Thank you for purchasing a Sealey product. Manufactured to a high standard, this product will, if used according to these instructions, and properly maintained, give you years of trouble free performance.

IMPORTANT: PLEASE READ THESE INSTRUCTIONS CAREFULLY. NOTE THE SAFE OPERATIONAL REQUIREMENTS, WARNINGS & CAUTIONS. USE THE PRODUCT CORRECTLY AND WITH CARE FOR THE PURPOSE FOR WHICH IT IS INTENDED. FAILURE TO DO SO MAY CAUSE DAMAGE AND/OR PERSONAL INJURY AND WILL INVALIDATE THE WARRANTY. KEEP THESE INSTRUCTIONS SAFE FOR FUTURE USE.



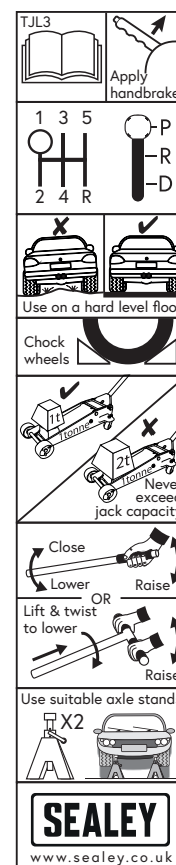
Refer to instruction manual



Wear safety footwear

1. SAFETY

- ✓ Ensure the jack is in sound condition and good working order. Take action for immediate repair or replacement of damaged parts.
- ✓ Use genuine parts only. The use of improper parts may be dangerous and will invalidate the warranty.
- ✓ Locate the jack in a suitable, well lit working area. Keep working area clean and tidy and free from unrelated materials.
- ✓ Use jack on level/solid ground, preferably concrete. Avoid tarmac/adam as jack may sink in.
- ✓ Place wedges under wheels of vehicle, but ensure the jack wheels are free to move and that there are no obstructions.
- ✓ Ensure the vehicle handbrake is engaged, engine is switched off and transmission is in gear (or "PARK" if automatic).
- ✓ Ensure minimum distance of 0.5m between vehicle and static objects such as doors, walls, etc., to allow for vehicle tilting.
- ✓ Ensure there are no passengers in the vehicle and that all non-essential persons keep a safe distance whilst the jack is in use.
- ✓ Place jack under lifting points recommended by vehicle manufacturer (see vehicle hand book). Ensure lifting point is stable and centred on saddle.
- ▲ **DANGER:** Use the jack for lifting only, **NOT** for supporting the lifted load.
- ✓ Use suitable capacity axle stands under the vehicle before proceeding with any task.
- ✓ Ensure there are no persons or obstructions beneath the vehicle before lowering.
- ✗ **DO NOT** operate the jack if damaged.
- ✗ **DO NOT** work under the vehicle until axle stands have been correctly positioned.
- ✗ **DO NOT** exceed the rated capacity of the jack (2tonne/2000kg). When lifting a load of maximum capacity or close to it, it is recommended that the effort be reduced by the use of assistance during this operation.
- ✗ **DO NOT** adjust the safety overload valve.
- ✗ **DO NOT** jack vehicle if there is a risk of spillage of fuel, battery acid, or other dangerous substances.
- ✗ **DO NOT** allow the vehicle to move while supported by the jack, or use the jack to move the vehicle.
- ✗ **DO NOT** top up hydraulic system with brake fluid. Use hydraulic jack oil only and use a qualified person to maintain jack hydraulic system.
- ✗ **DO NOT** allow untrained persons to operate the jack.
- ✗ **DO NOT** use jack for purposes other than which it is designed.
- ✗ **DO NOT** allow persons to ride on the jack.
- ✓ When not in use store jack, fully lowered, in a safe, dry, childproof area.



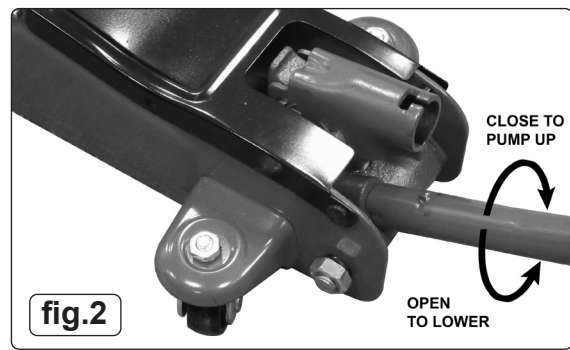
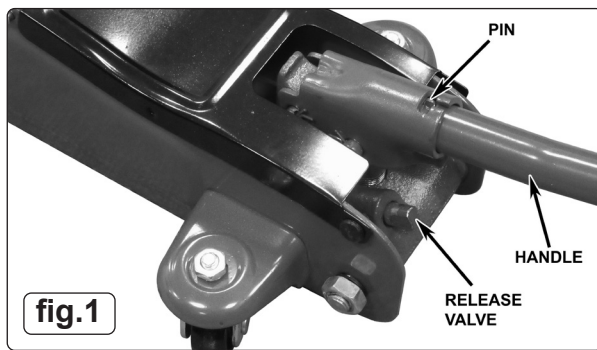
2. INTRODUCTION

Steel chassis with welded castor supports and one-piece hydraulic unit. Fitted with overload valve, carry handle and finger cover for extra safety. Profiled lifting arm allows low clearance height of just 90mm making this unit suitable for sports and custom cars. Suitable for the hobby user or as an emergency mobile jack. Includes one-piece pumping handle.

3. SPECIFICATION

Model no: **1050CXLE.V3**
 Capacity: 2tonne (2,000kg)
 Minimum saddle height: 90mm
 Maximum saddle height: 340mm
 Maximum chassis height: 125mm
 Length: 508mm

4. ASSEMBLY



- 4.1. To pump, place the handle into the jacking socket and turn it to engage the external pin as shown in fig.1.
- 4.2. To operate the release valve engage the cross pin in the open end of the handle with the slot in the end of the release valve as shown in fig.2.

5. OPERATION

5.1. BEFORE FIRST USE.

- 5.1.1. Before using jack, purge hydraulic unit in order to eliminate any air in the system. Place handle onto the release valve nut as shown in fig.2 and open the valve by turning the handle anti-clockwise, place the handle back into the jacking socket and pump for 30 to 40 seconds. When complete, close the release valve by turning the valve nut clockwise.
- 5.1.2. Place a few drops of hydraulic jack oil onto the pump piston and pump the handle several times to distribute the oil. Thoroughly lubricate all moving parts.

5.2. GENERAL JACKING.

- WARNING!** Before lifting ensure Section 1 safety instructions are read and understood. When lifting a load of maximum capacity or close to it, it is recommended that the effort be reduced by the use of assistance during this operation.
- 5.2.1. Prepare the vehicle as mentioned in the safety instructions ensuring the ground on which the jack is to stand is level and solid (not tarmacadam).
- 5.2.2. Position the jack saddle under the vehicle manufacturer's recommended lifting point.

5.3. RAISING THE VEHICLE.

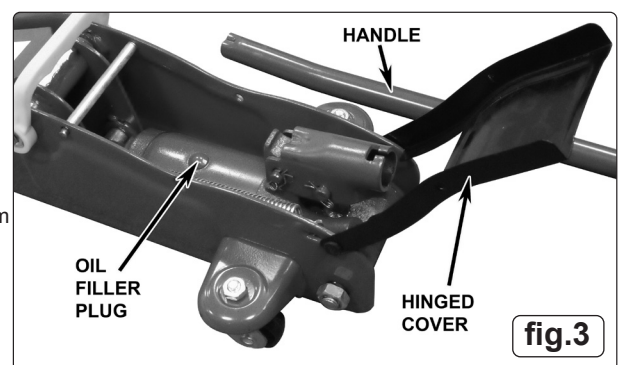
- 5.3.1. Close the release valve using the handle as shown in fig.2. Place the handle into the handle socket and commence pumping handle up and down using maximum strokes until the jack saddle reaches the vehicle jacking point. Check the jacking point is centrally located on the saddle and raise the vehicle.
- 5.3.2. Should the jack become overloaded, a safety excess pressure valve will open and stop the vehicle from lifting.
- WARNING!** The jack is a lifting device only and must not be used to support the load. Use correctly rated axle stands to support the load.

5.4. LOWERING THE VEHICLE.

- WARNING!** Ensure there are no persons or obstacles beneath the vehicle, or in the path of its descent.
- 5.4.1. If using axle stands, raise the jack high enough for the stands to be easily removed. Then place the handle onto the release valve nut and turn anti-clockwise, very slowly, to open the valve.
- 5.4.2. The lowering speed is controlled by the amount you turn the handle. Lower carefully, avoid any sudden changes in descent rate which would shock load the hydraulic system.

6. MAINTENANCE

- 6.1. When the jack is not in use, the ram should be in its lowest position to minimise corrosion. Remove the handle to inactivate jack.
- 6.2. Keep the jack clean and lubricate all moving parts on a regular basis.
- 6.3. Before each use check for broken, cracked, bent, or loose parts, or any visible damage to ram, pump, saddle, lifting arm, frame and all parts including nuts, bolts, pins and other fasteners. If any suspect item is found remove jack from service and take necessary action to remedy the problem.
- DO NOT** use the jack if believed to have been subjected to abnormal load or shock load.
- 6.4. Periodically check the pump piston and the ram for signs of corrosion. Clean exposed areas with a clean oiled cloth.
- 6.5. After one year the oil should be replaced in order to extend the life of the jack. Use hydraulic jack oil only.
- IMPORTANT:** Only fully qualified personnel should attempt hydraulic maintenance or repair.
- 6.6. To check the oil level, fully lower the jack. Open the hinged cover and remove oil filler plug (fig.3). The correct level is just below the bottom of the plug. If oil level is low, fill as required.
- NOTE:** Use a good quality jack oil, such as SEALEY HYDRAULIC JACK OIL.
- WARNING: DO NOT** use brake fluid, or any fluid other than hydraulic jack oil as this may cause serious damage to the jack and will invalidate the warranty.
- 6.7. When draining the oil make sure that no dirt is allowed to enter the hydraulic system.
- IMPORTANT: NO RESPONSIBILITY IS ACCEPTED FOR INCORRECT USE OF THIS PRODUCT.**
- Owing to their size and weight, hydraulic products should ideally be repaired by local service agents. We have service / repair agents in most parts of the UK. Before returning your product please call our technical helpline on **01284 757505** for advice and troubleshooting guidance.
- If the jack is under guarantee please contact your stockist.*



DECOMMISSIONING THE JACK

Should the jack become completely unserviceable and require disposal, draw off the oil into an approved container and dispose of the jack and the oil according to local regulations.

7. TROUBLESHOOTING

IMPORTANT: MAINTENANCE OR REPAIR OF HYDRAULIC SYSTEM MUST ONLY BE PERFORMED BY A QUALIFIED PERSON.

PROBLEM	POSSIBLE CAUSE	REMEDY
Jack will not lift the load	<ol style="list-style-type: none"> 1) Overloaded 2) Oil level low 3) Release valve not correctly closed 4) Air in system 5) Piston rod not functioning 6) Packing worn or defective 	<ol style="list-style-type: none"> 1) Be sure to use jack with adequate capacity 2) Top up oil level 3) Check and close release valve 4) Open release valve and pump the handle a few times. Close valve and re-try 5) Clean and replace oil 6) Replace packing
Jack does not lift high enough or feels "spongy"	<ol style="list-style-type: none"> 1) Oil level too high or too low 2) Worn seals 3) Air in system 4) Release valve not closed 	<ol style="list-style-type: none"> 1) Fill or remove excess oil 2) Return jack to local service agent 3) Open release valve and pump the handle a few times. Close valve and re-try 4) Check and close release valve
Jack lifts poorly	<ol style="list-style-type: none"> 1) Pump packing or valves malfunctioning 2) Oil is dirty 3) Air in the system 	<ol style="list-style-type: none"> 1) Replace packing and/or clean valves 2) Replace oil 3) Open release valve and pump the handle a few times. Close valve and re-try
Jack lifts but will not hold load	<ol style="list-style-type: none"> 1) Release valve partially open 2) Dirt on valve seats 3) Air in system 4) Faulty seals 5) Packing worn or defective 	<ol style="list-style-type: none"> 1) Check and close release valve 2) Lower jack, close release valve. Place foot on front wheel and pull up lifting arm to it's full height by hand. Open the release valve to lower arm 3) Open release valve and pump the handle a few times. Close valve and re-try 4) Replace packing or contact local service agent 5) Replace packing
Jack will not lower completely	<ol style="list-style-type: none"> 1) Unit requires lubrication 2) Piston rod bent or damaged 3) Jack frame/link system distorted due to overloading/poor positioning 4) Air in system 5) Release valve partially closed 6) Jack spring damaged or unhooked. 	<ol style="list-style-type: none"> 1) Oil all external moving parts 2) Replace rod or contact local service agent 3) Replace damaged parts or contact local service agent 4) Open release valve and pump the handle a few times. Close valve and re-try 5) Check and fully open release valve 6) Replace spring or contact local service agent
Jack does not lower at all	<ol style="list-style-type: none"> 1) Release valve closed 	<ol style="list-style-type: none"> 1) Check and fully open release valve



ENVIRONMENT PROTECTION

Recycle unwanted materials instead of disposing of them as waste. All tools, accessories and packaging should be sorted, taken to a recycling centre and disposed of in a manner which is compatible with the environment. When the product becomes completely unserviceable and requires disposal, drain any fluids (if applicable) into approved containers and dispose of the product and fluids according to local regulations.

Note: It is our policy to continually improve products and as such we reserve the right to alter data, specifications and component parts without prior notice.

Important: No Liability is accepted for incorrect use of this product.

Warranty: Guarantee is 12 months from purchase date, proof of which is required for any claim.

Sealey Group, Kempson Way, Suffolk Business Park, Bury St Edmunds, Suffolk. IP32 7AR



01284 757500



01284 703534



sales@sealey.co.uk



www.sealey.co.uk